

# INSTALLATION AND OPERATION MANUAL

## PORTABLE INFRARED HEATER

of REM/RET type



Thank you for choosing a product of **ECO CALORIA Sp. z o.o.!!!**

We are glad to have you as our customers, we believe that you will be satisfied with the use of our heaters. Following the manual and caring out of installation and maintenance by qualified staff ensures proper and safe operation of the device. Not following the manufacturer's recommendations will void the device's warranty.

## Introduction

Portable Infrared Heater **ECOray** provide the perfect solution for spot or emergency heating requirements, effectively blending into environments old and new while providing a cost effective, pollution free heater.

**Please read the enclosed instructions carefully before use. The safety of this heater is guaranteed only by the correct usage in accordance with these instructions, therefore it is recommended that they are retained for future reference.**

## Caution!

- Before using this appliance check that the voltage indicated on the type plate corresponds to the mains supply voltage.
- The unit must be operated in the vertical position and must not be moved when switched on.
- **UNDER NO CIRCUMSTANCES** should any person attempt to touch any of the lamps whilst the unit is switched on or when it has recently been used.
- Precautions should be taken to ensure that the heater is not placed, either directly or indirectly in line with any form of spray paint, oil, water, or any other liquid substance, either whilst in use or not.
- Do not handle the halogen lamp with bare hands. If it is inadvertently touched, remove finger marks with a soft cloth and methylated spirit or rubbing alcohol. Otherwise, marks will burn into the quartz glass causing premature heater failure.
- ECO CALORIA do not recommend the use of an extension cable with this product.
- This appliance is not intended for use by persons (including children) with reduced physical, sensory or mental capabilities, or lack of experience and knowledge, unless they have been given supervision or instruction concerning use of the appliance by a person responsible for their safety. Children should be supervised to ensure that they do not play with the appliance.
- This heater is for indoor use only - do not install outdoors or use the heater in a damp area, for example a bathroom or near to a swimming pool.
- Do not touch the heater when it is turned on because the surface is hot.
- Do not insert any object through any slot or opening on the heater.



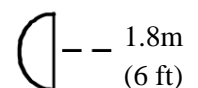
## Caution!

This appliance must be connected to a supply that is earthed!



## Risk of Fire

Keep combustible materials such as furniture, papers, clothes and curtains at least 1.8m (6 feet) from the front of the heater and away from the sides and rear.



## Specification

Description	Part Number	Lamps	Electrical Rating (kW)	Supply	Amperes (nominal)	Dimensions H x W x D (mm)	Weight (kg)
REM	REM30	Gold Quartz SK15	2 x 1,5	230 V ~ 50 Hz	13	650 x 430 x 200 668 x 430 x 509 (with Stand)	7,8
RET	RET30	Gold Quartz SK15	2 x 1,5	230 V ~ 50 Hz	13	1140 x 430 x 330 1140 x 650 x 650 (with Stand)	20,0

## Maintenance

**In the event of heater failure or for spare parts or advice, please contact the manufacturer in the first instance**

Disconnect from the mains by removing the plug from the socket outlet before commencing any maintenance procedure including cleaning.

To ensure optimum thermal efficiency it is recommended to wipe dirt and dust from the lamp and cover.

## Replacing the Lamp

1. Disconnect from the power supply before attempting to replace any lamp.
2. Remove the guard by removing the guard fixing screws.
3. Remove the screws from the end extrusion(s) and fascia panels adjacent to the failed lamp (see Fig. 1 for illustrative purposes only).
4. Remove the panels to expose the lamp connections (see Fig. 2) .
5. Disconnect lamp leads from terminal plates and remove the retaining clips (see Fig. 3).
6. Slide the lamp through the extrusion.
7. Fit a new lamp, taking care not to mark the reflector or handle the lamp.
8. Replace the end extrusion(s) and fascia panels securely, using the fixings previously removed and refit the guard.

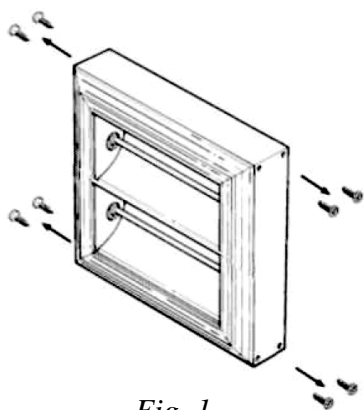


Fig. 1

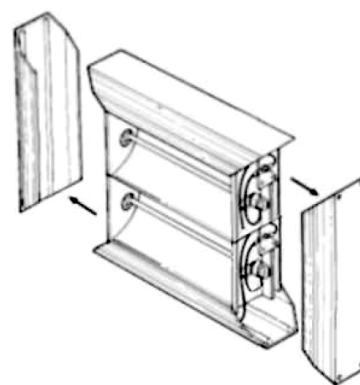


Fig. 2

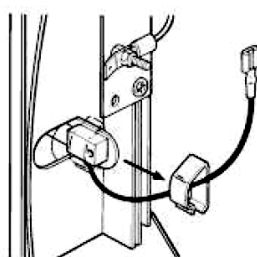


Fig. 3

## Installation Instructions

### Portable Infrared Heater REM

The support stand for the REM model is supplied in two halves for ease of packing.

1. Place the base half of the stand 'A' on the work surface.
2. Remove screws, nuts and washers from the base half of the stand.
3. Slide the top half of the stand 'B' into position by engaging the tabs into the slots on the base half as shown in Fig. 4.
4. Line up the holes between the base half and top halves and replace the screws and washers on the outside 'C' and the serrated washers and nuts 'D' on the inside of the base and fully tighten as shown in Fig. 5.
5. Remove the four screws and washers 'E' from the back of the heater.
6. Place the heater against the top half of the stand and replace the four screws and washers 'C' and ensure that they pass through the stand and fully tighten..

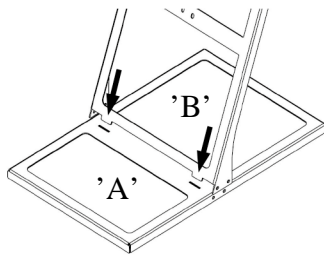


Fig. 4

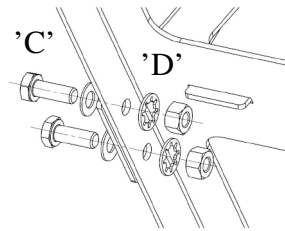


Fig. 5

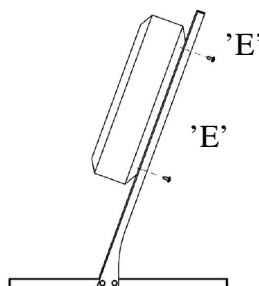


Fig. 6

## Portable Infrared Heater RET

The support stand for the **RET** model is supplied in two halves for ease of packing.

1. Interlock the two base plates with the base anchor plate uppermost.
2. Affix the casters to each of the four ends.
3. Join the support to the anchor plate and bolt through the base pieces.
4. Affix the head anchor bracket to the top of the support.
5. Attach the heater head to the top of the support.

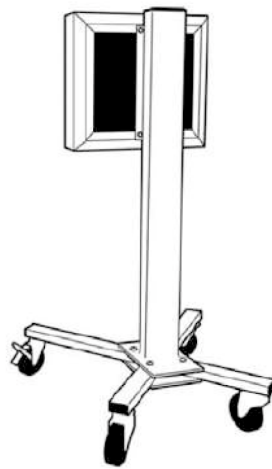


Fig. 7

### Caution!

Do not handle lamp with bare hands.

Remove finger marks with a soft cloth and methylated spirit or rubbing alcohol. Finger marks will burn into the quartz glass causing premature lamp failure.

The use of this symbol indicates that this product may not be treated as household waste. By ensuring this product is disposed of correctly, you will help prevent potential negative consequences for the environment and human health, which could otherwise be caused by inappropriate waste handling of this product. For more detailed information about recycling of this product, please contact your local council, your household waste disposal service or the shop where you purchased the product.





**ECO CALORIA Sp. z o.o.**

**ul. Zgodna 2**

**27-200 STARACHOWICE**

**tel.: +48 41 274 14 41, fax: +48 41 273 71 47**

**[www.ecocaloria.com](http://www.ecocaloria.com)**

**[office@ecocaloria.com](mailto:office@ecocaloria.com)**